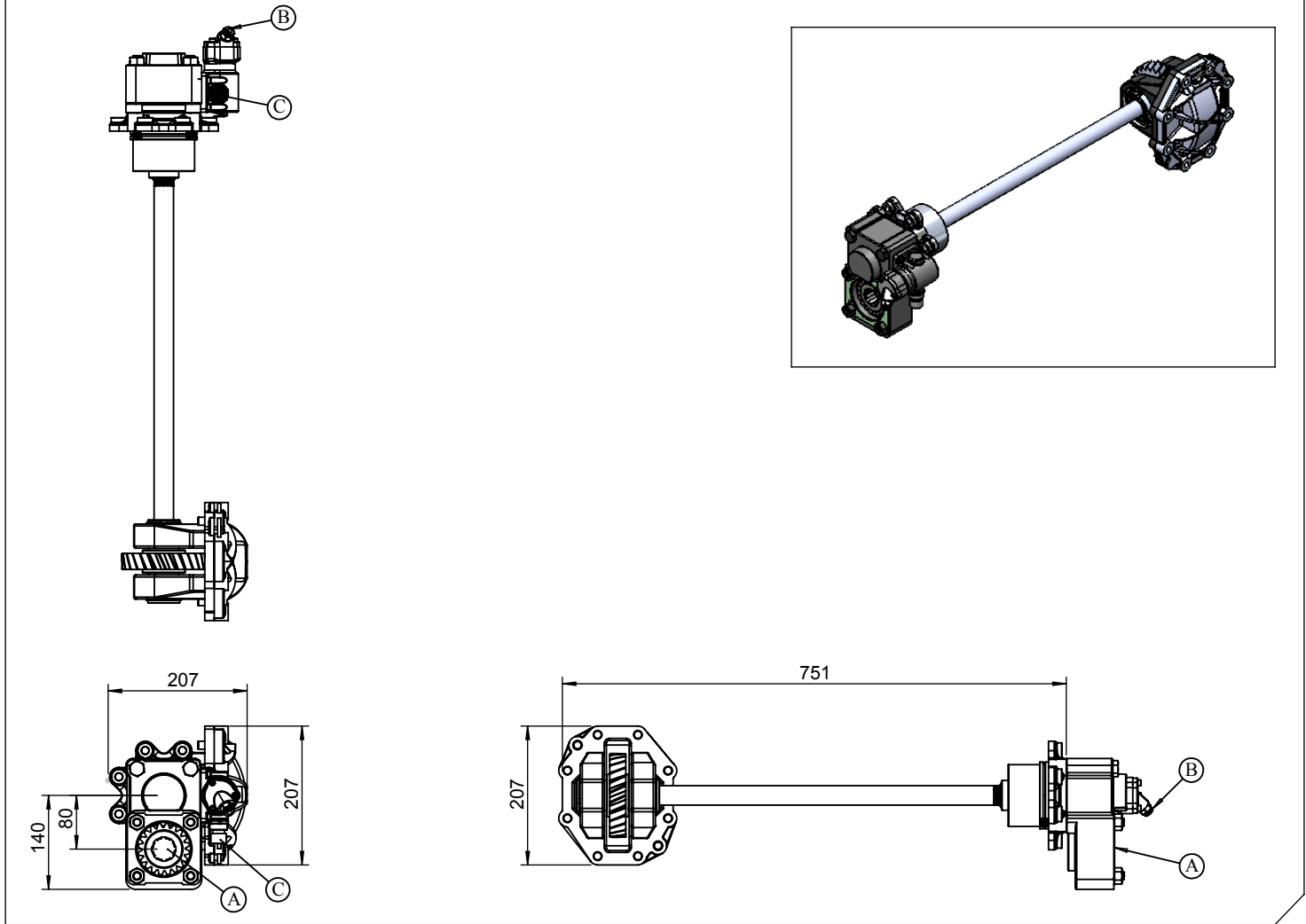


Vehicle Type	R420-G 420-G 400 EURO 5- R 500 SCANIA
Gearbox Type	GR 875 / GR 905 / GRS 895 / GRS 905 R (16,40)

Product Code	SCA.15.905.3
Revision No- Date	01 / 01.12.2016

Products Views



Component Details

A:PTO output : ISO 4 bolt
 Direct mounting UNI 3 bolt mtg. adapter
 Drive flange
 B:Air inlet R 1/4"
 C:Sensor (Ops.)

Technical Details

Power	Maximum Torque		Input/Output	Mounting Side	Control Type
	<i>Nm</i>	<i>kgm</i>			
<i>kW</i>				Right - Rear	Pneumatic
32,85	313,9	32	1/1.2	Weight	Sense of Rotation
				21 kg	Opposite of Input